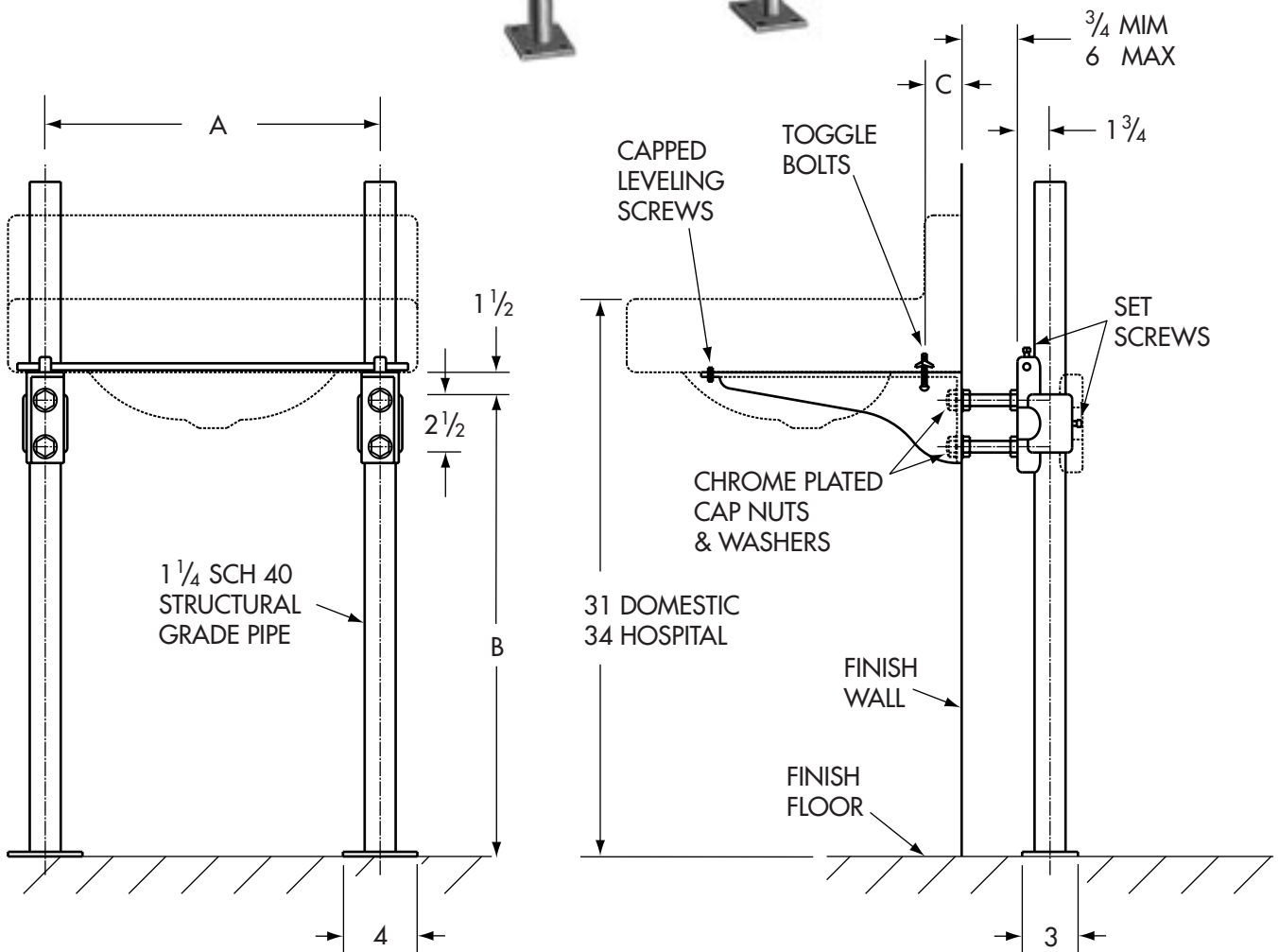


# Lavatory Carriers

# WADE

**510** Single lavatory carrier with white A.R.E. cast iron exposed arms.

**Letter Dimensions Vary According to Fixture Used.**



## MODIFICATIONS

Cat. No.	Type	Wt. Lbs.
510	Single	38
510D	Double	48

**Note:** Refer to carrier selector for applications to specific fixtures.

**Arm Suffixes:** 02, 03, KG, NR. Refer to page 2-8 for details.

Suffix	Description
M19	Eye bolts and hardware for cast iron lavatories
AM27	Valve support plate on upright
AM28	Valve support plate between arms
M36	Unistrut Uprights