

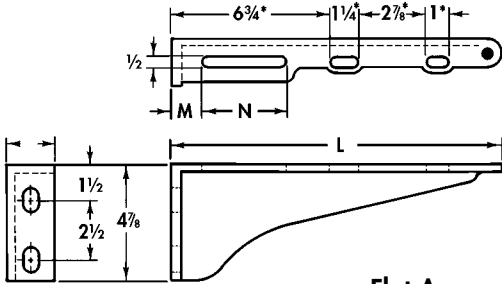
# Arm Assemblies For Lavatories & Sinks

# WADE

## Exposed Arms For Lavatories

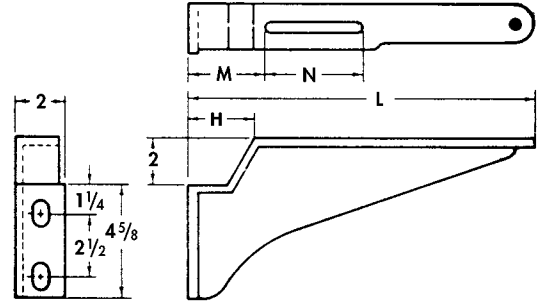
Carriers: 510, 520, 572

Note: Refer to carrier selector for applications to specific fixtures.



Flat Arms

Suffix	L	M	N	H
-NR	14	3	4	2 1/2
-KG	14	3 1/2	2 3/4	3 1/4



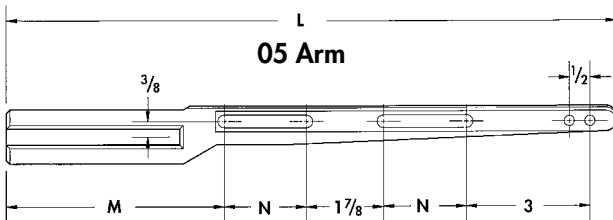
Notched Arms

Suffix	L	M	N
-02	14	1 1/4	3 1/3
-03	15 3/4	1 1/4	5

## Concealed Arms For Lavatories

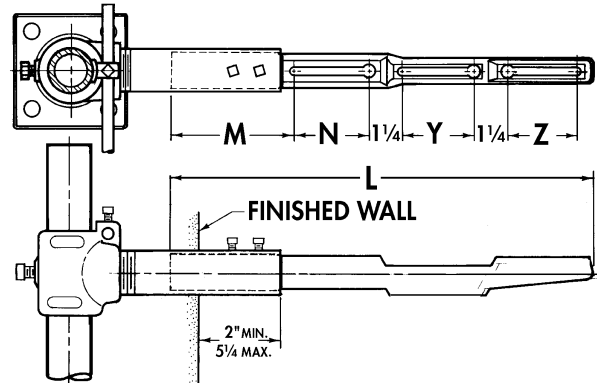
Carriers: 520, 571, 572, 573

Note: Refer to carrier selector for applications to specific fixtures.



05 Arm

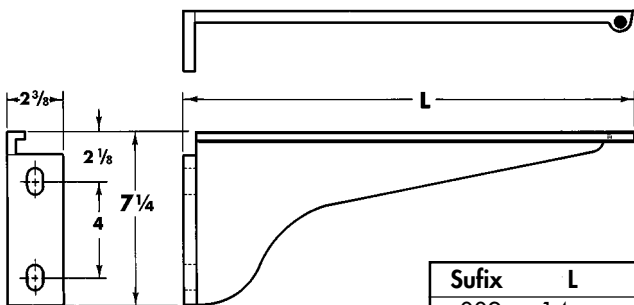
Suffix	L	M	N	Y	Z
-05	14 13/16	5 5/16	2	-	-
-07	16	4 3/4	2 3/4	2 3/4	2 5/8
-08	17 1/4	4 3/4	2 3/4	2 3/4	4
-09	19	4 3/8	4 5/8	3 1/4	3 5/8



## Exposed Arms For Sinks

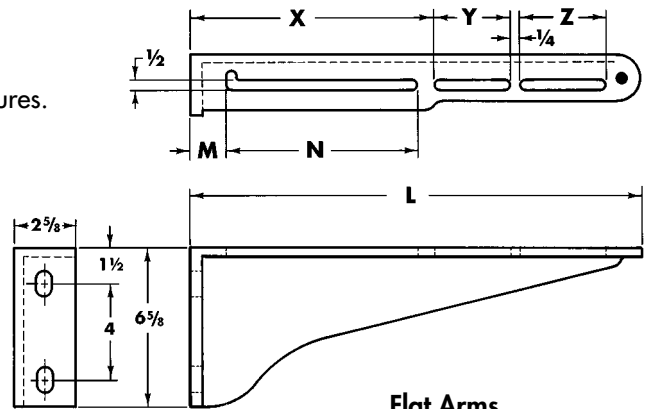
Carriers: 610, 620

Note: Refer to carrier selector for applications to specific fixtures.



Narrow Arms

Suffix	L
-009	14
-011	11 1/4
-014	14



Flat Arms

Suffix	L	M	N	X	Y	Z
-01	12 1/2	1 1/2	5 1/4	7 3/4	3 1/4	...
-02	16	1 1/2	7 1/4	10 1/4	3 1/4	...
-03	19	1 1/2	7 1/4	10 1/4	3 1/4	3 1/4