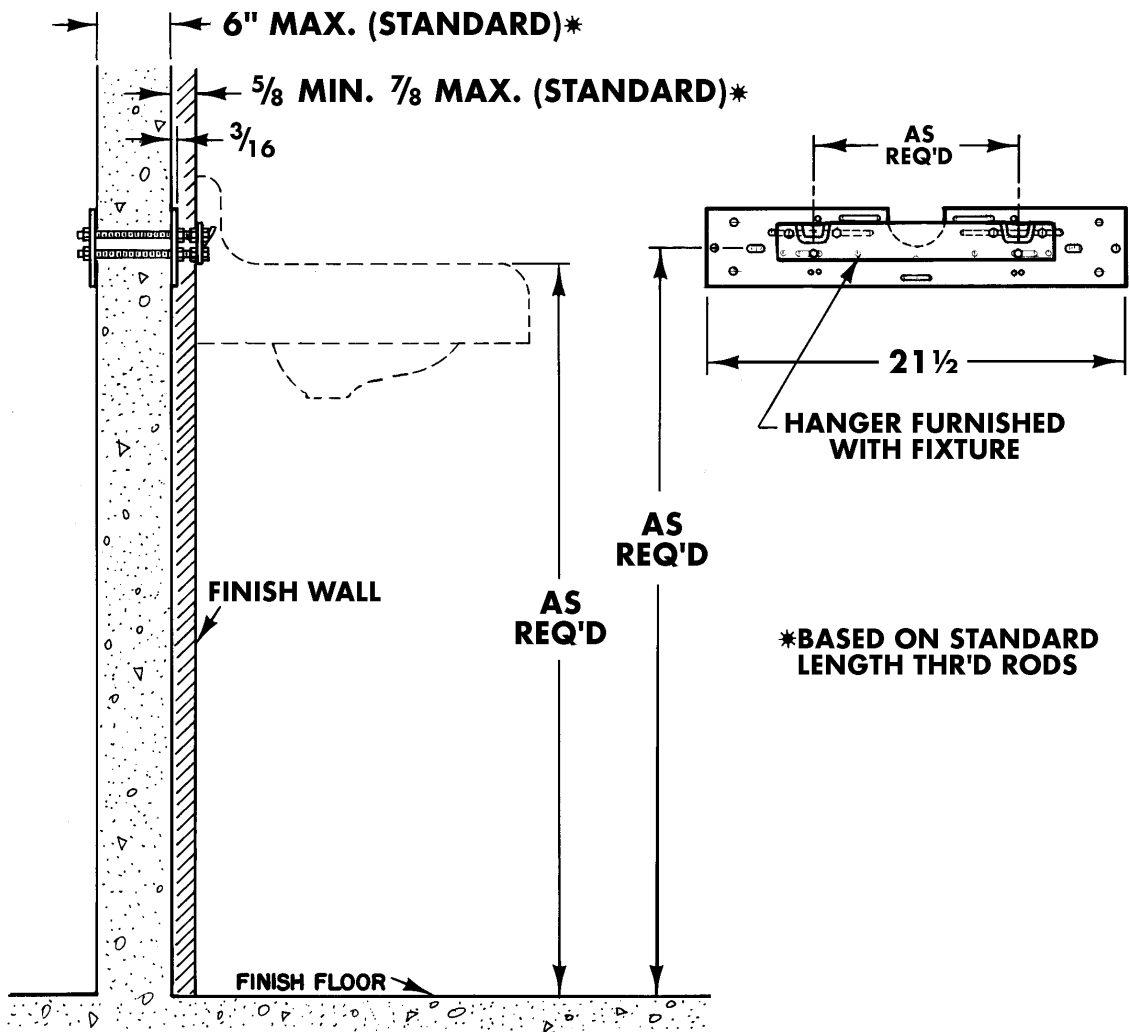
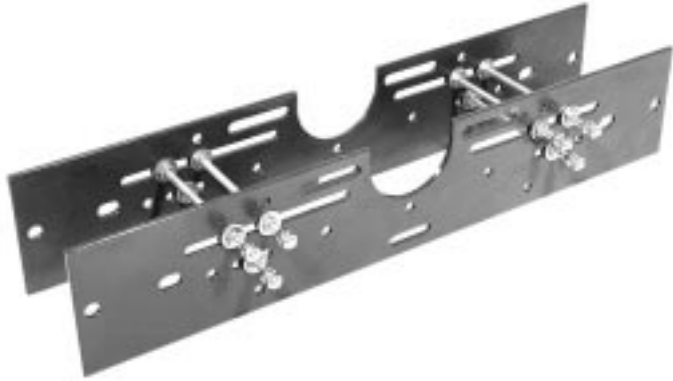


# Wall Support Universal Carriers



**462** Universal wall support two-plate carrier with hanger support studs for urinals, lavatories, drinking fountains and water coolers. For walls up to six-inches thick.

**472** Wall support carrier, drilled per order for fixtures the 462 Universal carrier will not accommodate. (Specify fixture on order). For walls up to six-inches thick.



Cat. No.	Type	Wt. Lbs.
462	Universal SGL (Two Plates)	14
472	Drilled Per Order (Two Plates)	14