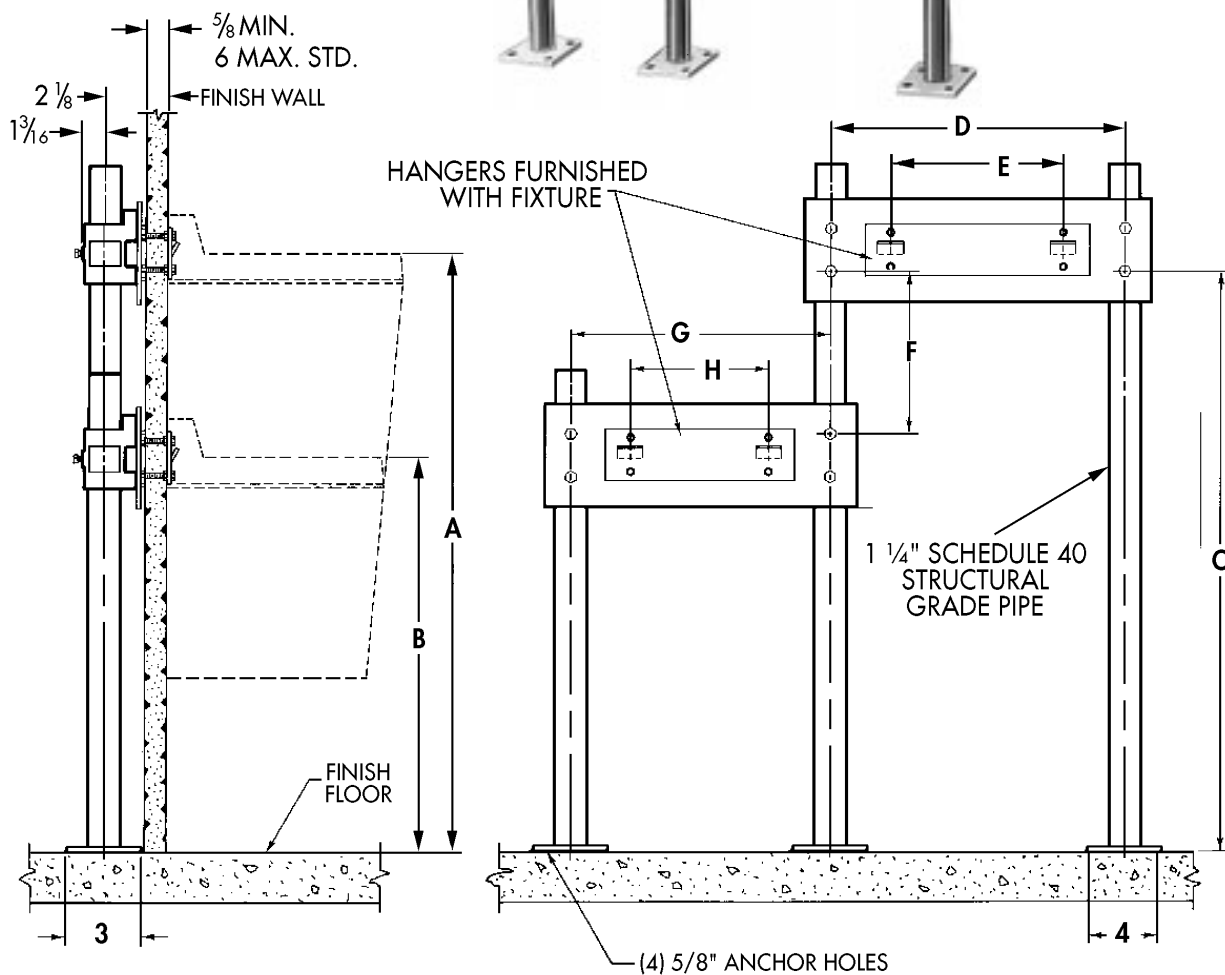


Water Cooler Carriers - Bi-Level Type

WADE

440 Carrier with three uprights, welded base feet, support studs for walls to 6" thick and hanger plates for bi-level drinking fountains.



Cat. No.	Type	Wt. Lbs.
440	SGL (Bi-Level)	72

MODIFICATIONS

Suffix	Description
AM11	Lower bearing plate
M36	Unistrut