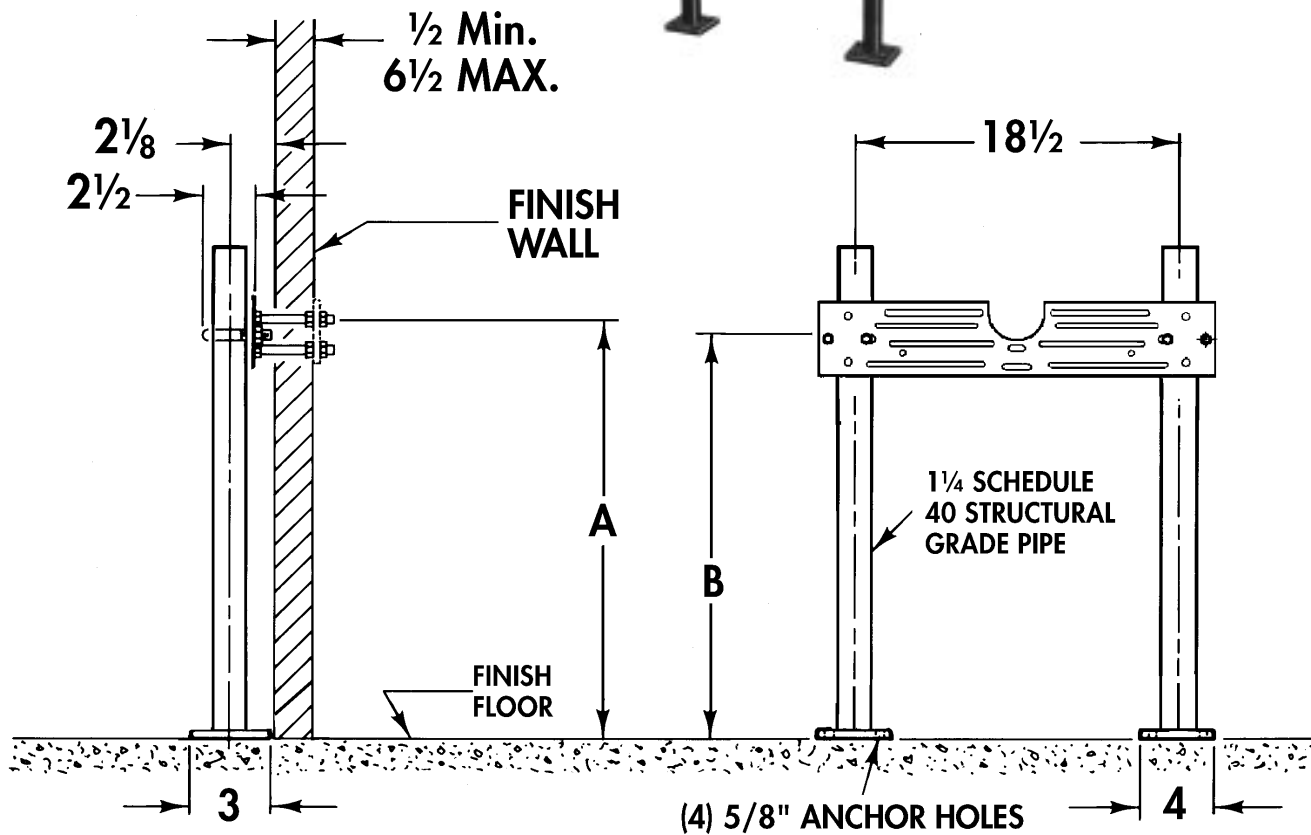


Universal Carriers



400 Universal hanger plate carrier with pipe uprights and rectangular base feet for urinals, lavatories, drinking fountains and water coolers.

420 Hanger plate carrier, drilled per order, for fixtures the 400 universal carrier will not accommodate. (Specify fixture number on order).



Cat. No.	Type	Wt. Lbs.
400	SGL-Universal Plate	30
400D	DBL-Universal Plate	35
420	SGL-Drilled Per Order	40
420D	DBL-Drilled Per Order	45

Note: All dimensions apply to 400 series universal carrier. Dimensions for 420 will vary slightly. Letter dimensions vary according to fixture used.

REFER TO CARRIER SELECTOR FOR APPLICATIONS TO SPECIFIC FIXTURES.

MODIFICATIONS

Suffix	Description
AM11	Lower bearing plate with studs
M3	Vandal Proof capnuts
M5	Wrench for VP capnuts
M36	Rectangular Uprights