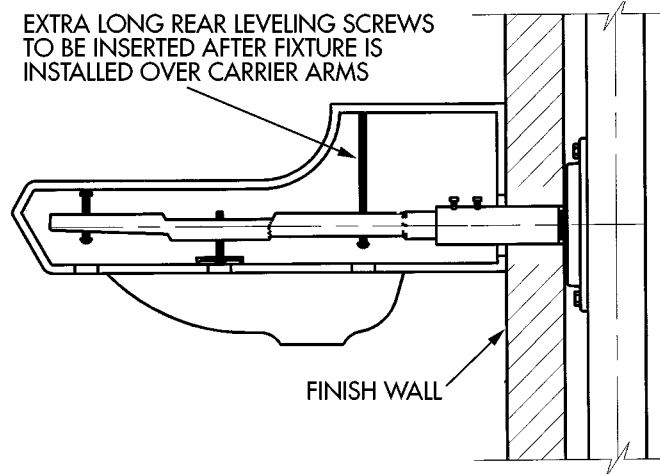


M25 Extra-Long Rear Leveling Screws For Hi-Back Lavatories

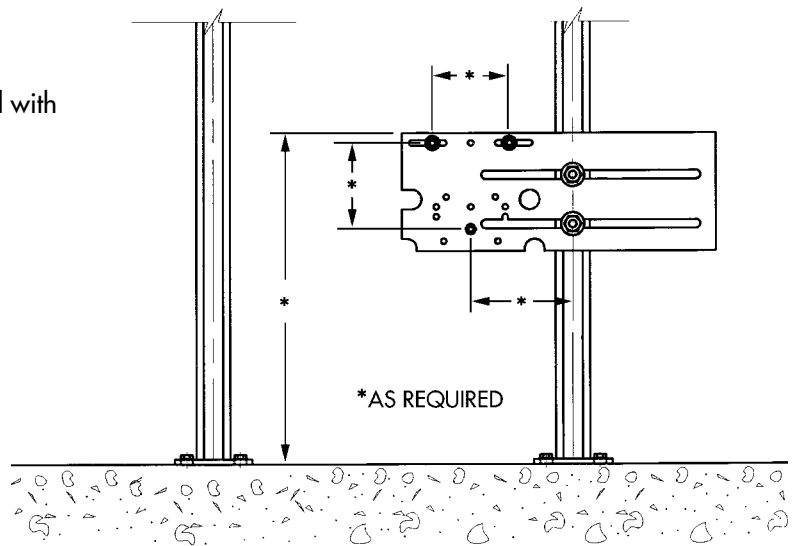
When required, extra long rear leveling screws are provided to accommodate hi-back fixtures. NOTE: Fixture Model No. must be specified when ordering.

Available: 520 Series, 570 Series



AM27 Valve Plate On Upright

Valve plate, securely fastened to carrier upright, supports knee or foot operated valves. Supplied with hardware and trim to mount valve.



AM28 Valve Plate Between Arms

Function: This plate adapts exposed arm carriers so that valves of the hanging type can be securely mounted. Hardware and trim are provided.

