

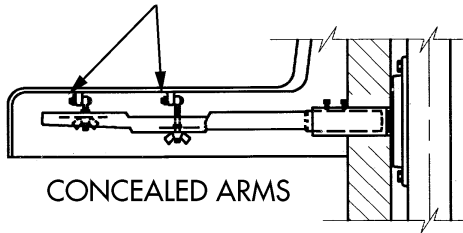
## M19 Hardware For Cast Iron Lavatories

Leveling & securing eye-bolts are required in addition to arms to support cast iron lavatories. The eye bolts attach directly to support lugs cast on the underside of the lavatory. (see note)

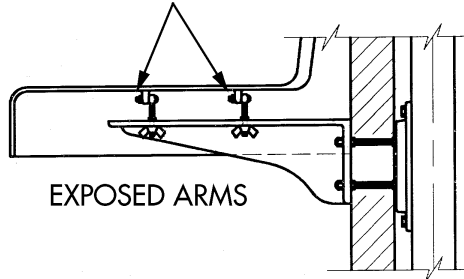
**Available:** All 500-Series Carriers.

**Note:** Cast iron lavatories with lugs on underside must be special ordered from fixture manufacturer.

3/8" THREADED EYE BOLTS  
WITH HARDWARE: ATTACH TO  
SUPPORT LUGS ON C.I. LAVATORY



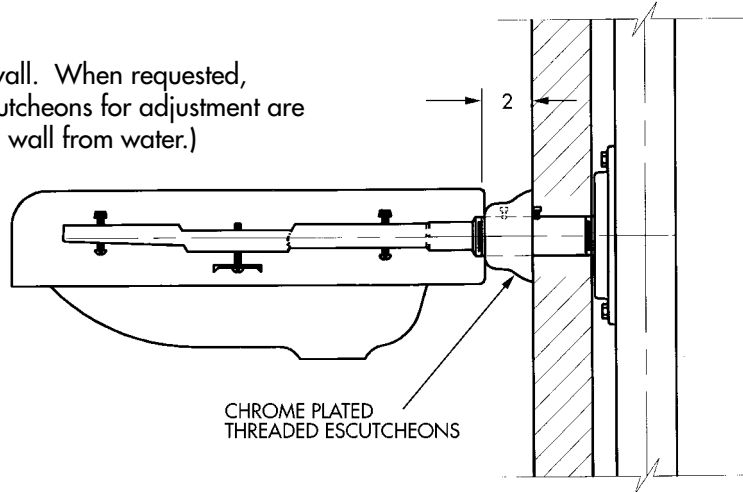
3/8" THREADED EYE BOLTS  
WITH HARDWARE: ATTACH TO  
SUPPORT LUGS ON C.I. LAVATORY



## M23 Escutcheons For Slab Type Lavatories

Slab type lavatories are installed away from the wall. When requested, special threaded nipples with chrome plated escutcheons for adjustment are supplied. (This prevents deterioration of the finish wall from water.)

**Available:** 520 Series, 570 Series



## M24 1 1/4" Long Nipples For Wheelchair Lavatories

The extra length of elongated lavatories for wheelchair users requires long pipe nipples for better support. NOTE: When wall conditions will not aid in the support of the fixture, use carriers with uprights.

**Available:** 520 Series, 570 Series

