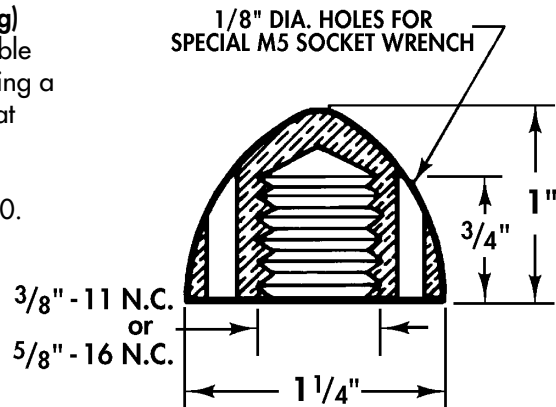


M3 Vandal Proof Capnuts (4 per bag)

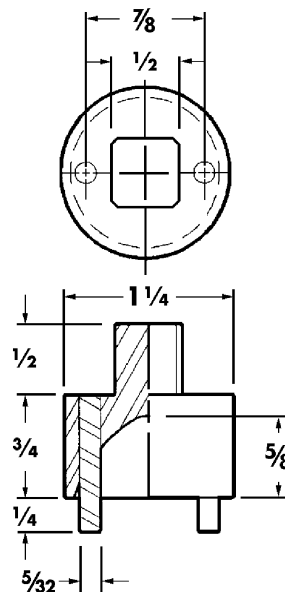
Function: Prevents tampering or possible damage to fixture. Trim is installed using a special socket wrench (M5) available at extra cost.

Available: 510, 610, 620, 640 & 650.



CHROME PLATED BRASS CAPNUT

M5 Wrench (fits M3 Vandal Proof Cap Nuts)



AM11 Lower Bearing Plate W/Studs

Urinals: Provide extra bearing support (allows fixture to rest against bearing studs.)

Lavatories & Drinking Fountains: To secure lower portions of lavs & drinking fountains to wall.

Available: 400, 420.

