

Sink Carrier

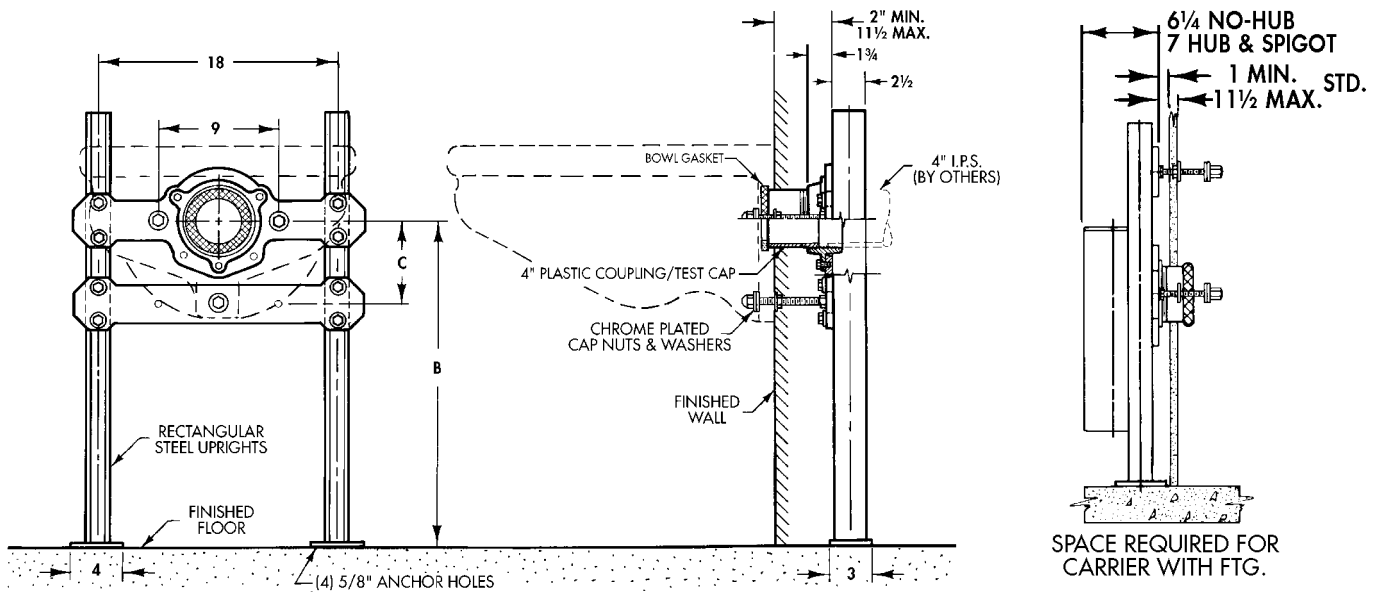
WADE

640 Service sink carrier with 4" coupling and rectangular steel uprights.

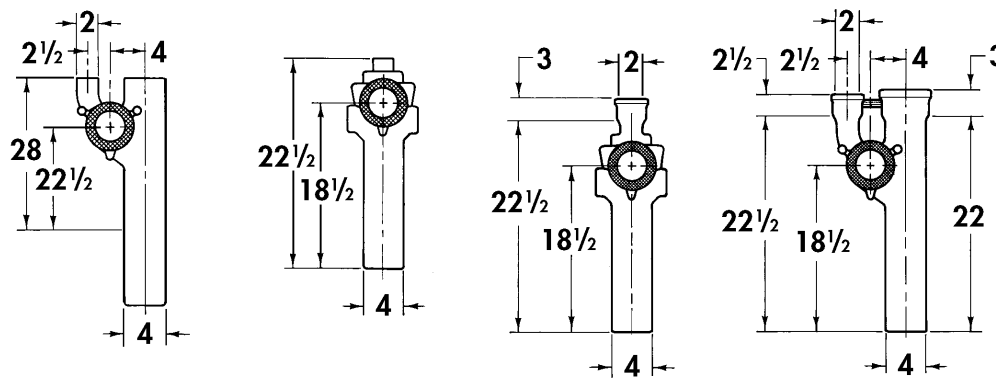


Cat. No.	Type	Wt. Lbs.
640	SGL (No FTG-IPS)	45

Mfg.	Fix No.	B	C
Amer. Std.	9512.013	24 3/4	6 1/4
Crane	7H-544	24 3/8	6 1/4
Eljer	241-0260	21 1/4	6 1/4
Kohler	K-12867	32 1/4	7



Fitting Only for 640 Connection



Cat. No.	Pipe Size	Vent Size
350NH2, Single, vent on stack	4	2
350NH4, Single, vent on stack	4	4
350C4, Single, vent on stack	4	4

Cat. No.	Pipe Size	Vent Size
371L, Single vent offset left	4	2L
371R, Single vent offset right	4	2R