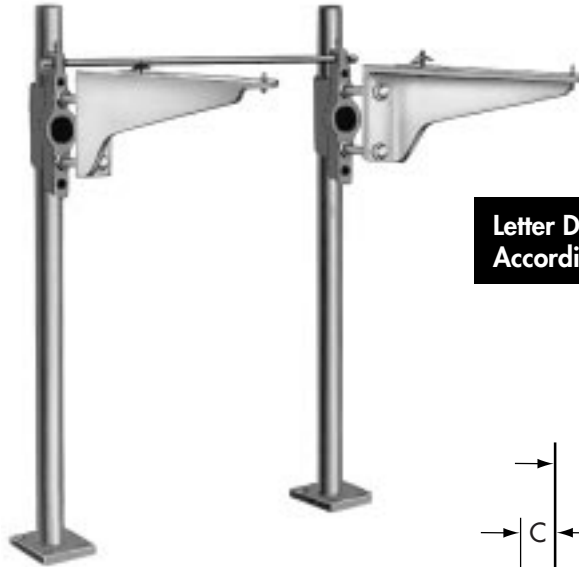


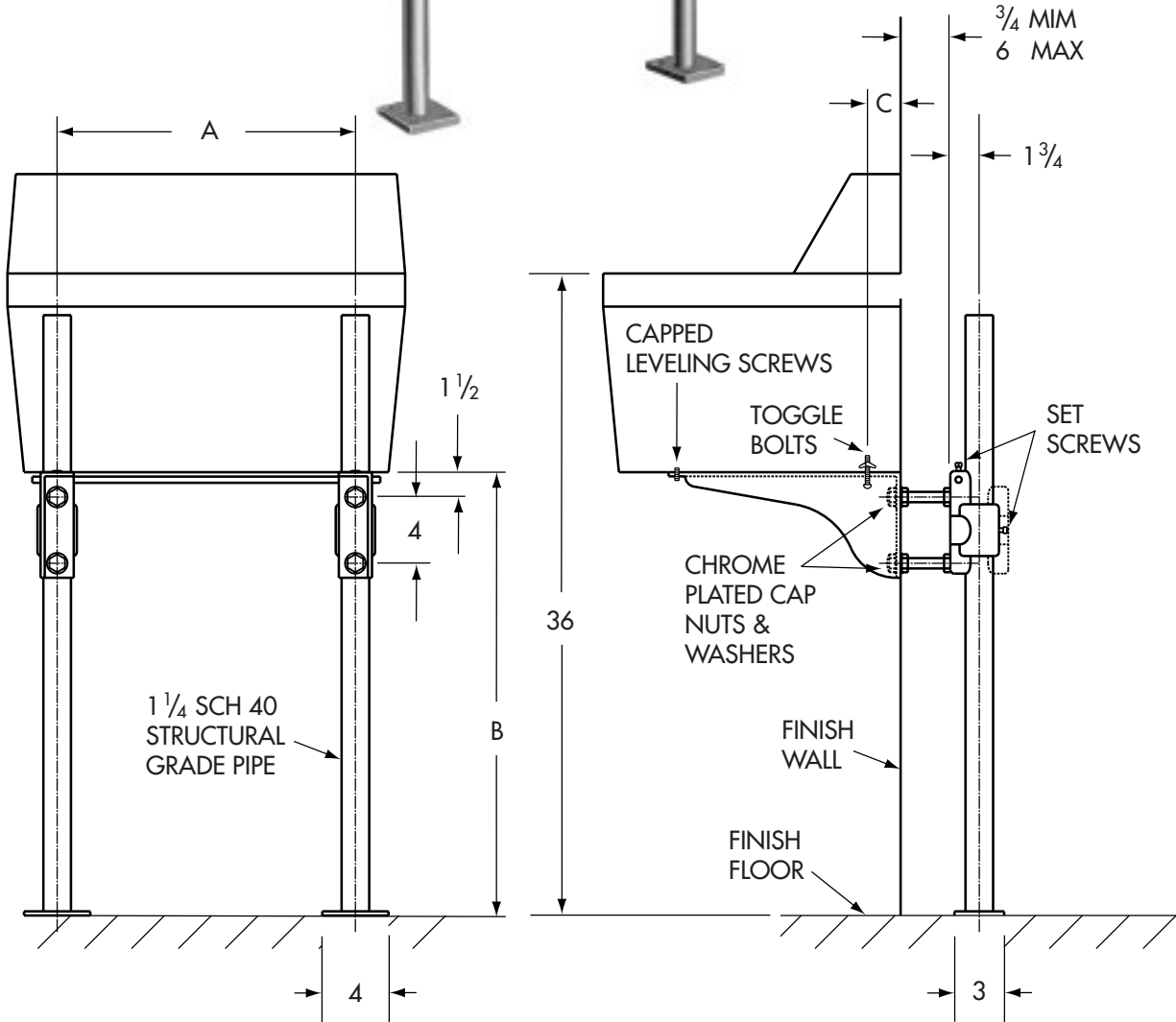
Sink Carriers



610 Single sink carrier with white A.R.E. heavy duty exposed arms. Note: For double carrier, Specify 610D



Letter Dimensions Vary According to Fixture Used.



MODIFICATIONS

Cat. No.	Type	Wt. Lbs.
<input type="checkbox"/> 610	SGL (2 Uprights-2 Arms)	41
<input type="checkbox"/> 610D	DBL (2 Uprights-4 Arms)	59

Note: Refer to carrier selector for applications to specific fixtures.

Arm Suffixes: 01, 02, 03, 009, 011, 014. Refer to Page 2-8 for details.

Suffix	Description
<input type="checkbox"/> M3	Vandal Proof capnuts
<input type="checkbox"/> M5	Wrench for VP capnuts
<input type="checkbox"/> AM27	Valve support plate on upright
<input type="checkbox"/> AM28	Valve support plate between arms
<input type="checkbox"/> M36	Unistrut Uprights