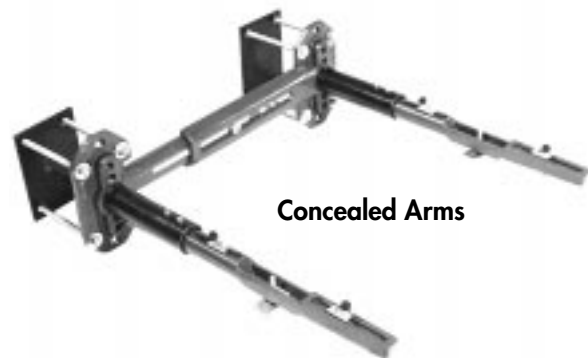


Wall Supported Lavatory Carriers

WADE

571 Wall lavatory carrier with adjustable brackets, for concealed or exposed arms.

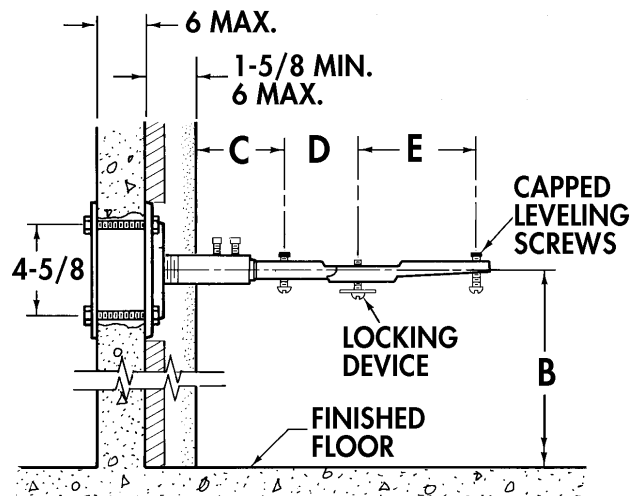
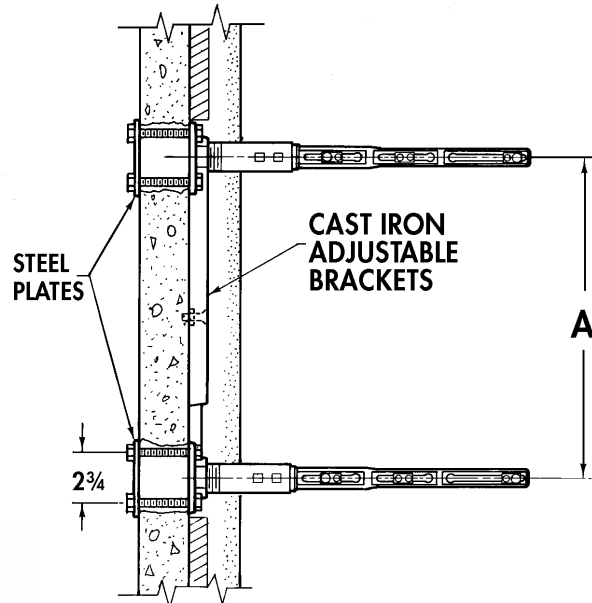


Concealed Arms



Exposed Arms

**Letter Dimensions Vary
According to Fixture Used.**



Cat. No.	Type	Wt. Lbs.
<input type="checkbox"/> 571	For Soap Tile Walls	22

CONCEALED ARMS: (Pairs, Cast Iron)

Suffix	Description
<input type="checkbox"/> 05	14-3/4" Offset Arm
<input type="checkbox"/> 07	16" In-Line
<input type="checkbox"/> 08	17" In-Line
<input type="checkbox"/> 09	19" In-Line
<input type="checkbox"/> 07-M19	In-Line Eyebolt, Hardware
<input type="checkbox"/> 07-M25-4	16", 4" Rear Lev Screw
<input type="checkbox"/> 08-M25-6	17", 6" Rear Lev Screw
<input type="checkbox"/> 09-M25-4	19", 4" Rear Lev Screw IH-360
<input type="checkbox"/> 09-M25-4	19", 4" Rear Lev Screw

OPTIONS:

Suffix	Description
<input type="checkbox"/> M23	Escutcheon, Chrome-Plated
<input type="checkbox"/> M24	Wheelchair Lav Support

EXPOSED ARMS: (Pairs, A.R.E. Cast Iron)

Suffix	Description
<input type="checkbox"/> 02	14-3/4" Offset Arm
<input type="checkbox"/> 02-M19	16" In-Line
<input type="checkbox"/> 03	17" In-Line
<input type="checkbox"/> KG	Notched Flat
<input type="checkbox"/> NR	Notched Flat

Arm Suffixes: Refer to page 2-8 for details.