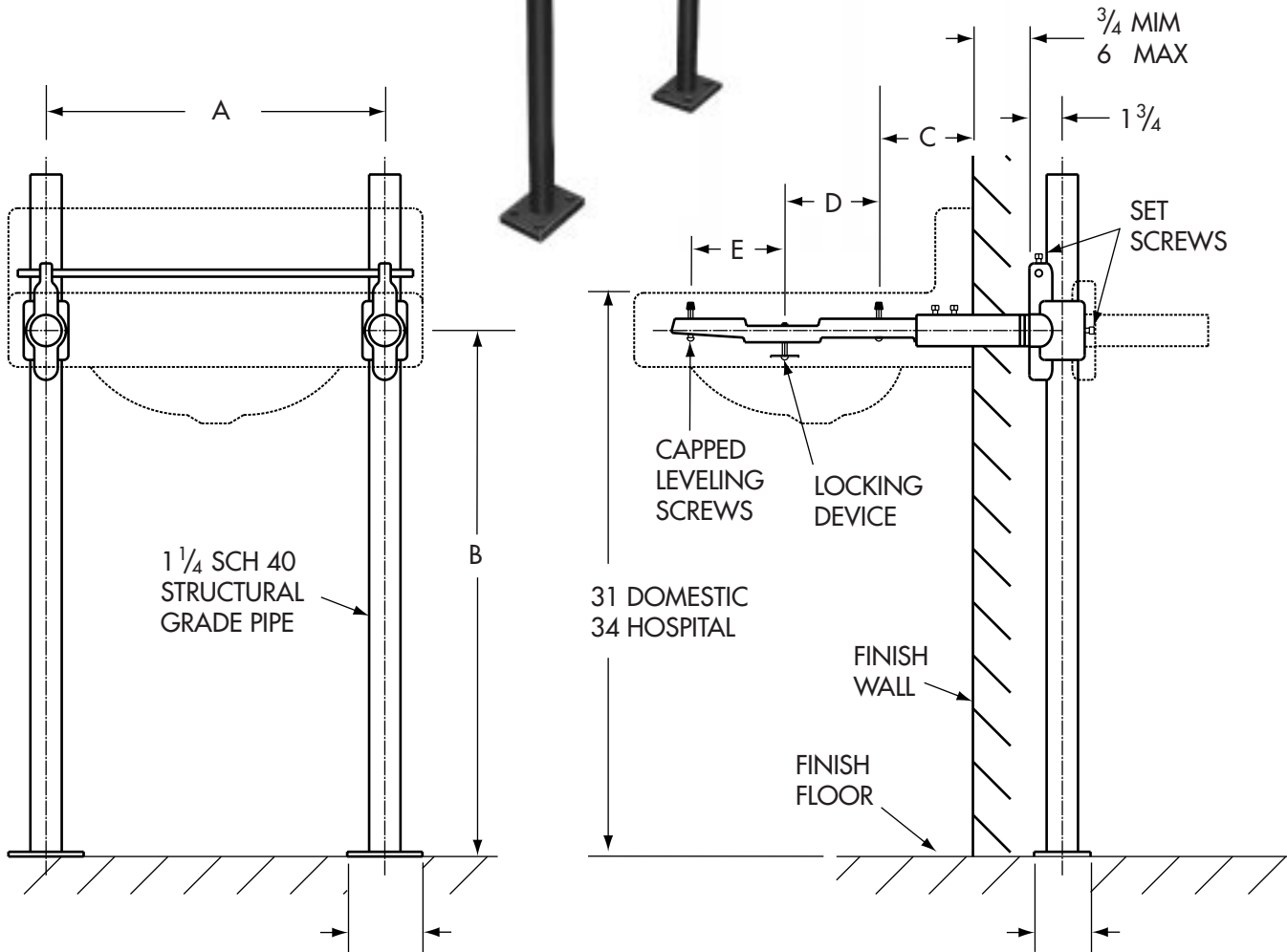


# Lavatory Carriers

# WADE

**520** Single concealed arm lavatory carrier with non-slip locking devices. For lavatories with back for walls up to 6" thick.

**Letter Dimensions Vary According to Fixture Used.**



## MODIFICATIONS

Cat. No.	Type	Wt. Lbs.
520	Single	36
520D	Double	45

**Note:** Refer to carrier selector for applications to specific fixtures.  
**Arm Suffixes:** 05, 07, 08, 09. Refer to page 2-8 for details.

Suffix	Description
M19	Eye bolts and hardware for C.I. lavatories
M23	Escutcheons for slab type lavatories
M24	Extended arm supports for wheelchair lavatories
M25	Extra long rear leveling screws for high-back lavatories
AM27	Valve support plate on upright
M36	Unistrut Uprights