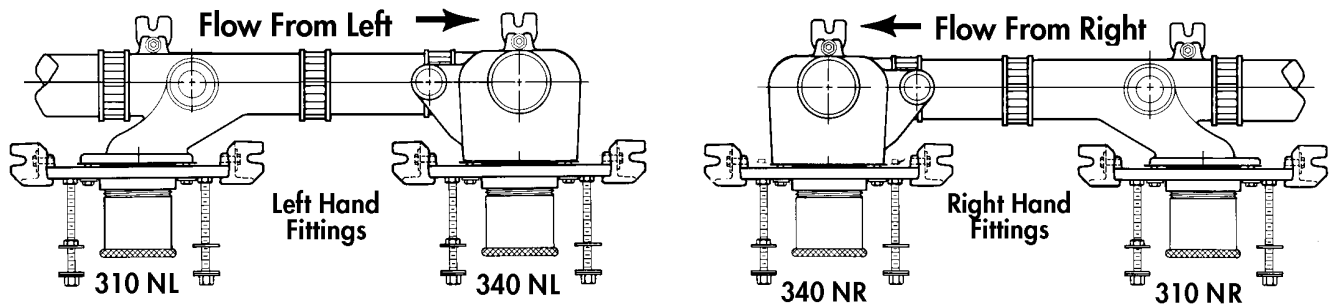
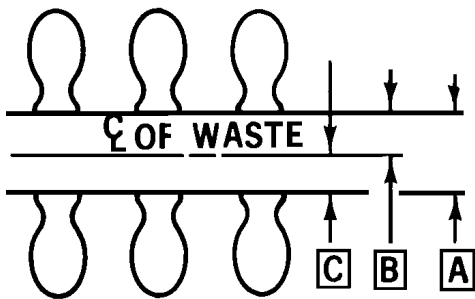


## Determining Right or Left Hand carrier-fittings

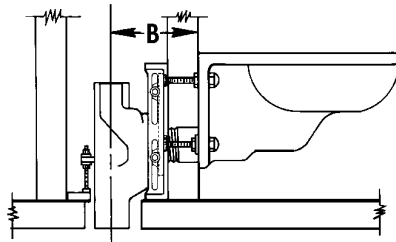
The flow direction of carrier-fittings is determined by facing the bowl. If the flow is from the right, right hand fittings are required. If the flow is from the left, left hand fittings are required.



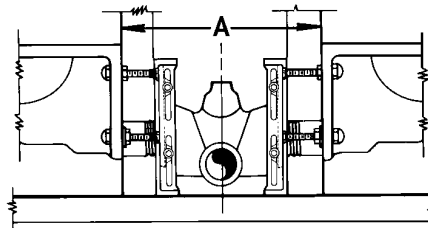
## Information Required To Select Single and Double Carrier-Fittings



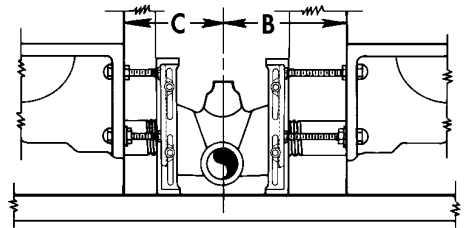
[A] Finished wall to finished wall, [B] & [C] Centerline of waste to finished wall



**Single Carriers**  
"B" dimension required



**Double Carriers centered in waste pipe chase.**  
"A" dimension required



**Double Carriers offset in pipe chase.**  
"B" dimension required  
"C" dimension required

## Number of Siphon Jet Closet Bowls Which Can Be Installed in a Single Battery (Determine Water Closet Spacing and Pitch Required)

Pitch In Waste Line	Water Closets On 30" Centers		Water Closets On 36" Centers	
	Fixture Rough-In Heights	Maximum Number of Closets With Stack in Center	Fixture Rough-in Height	Maximum Number of Closets With Stack in Center
1/8" Per Foot	4 1/8"	11	4 1/8"	9
	5"	15	5"	13
	5 1/2" or Higher	19	5 1/2" or Higher	17
1/4" Per Foot	4 1/8"	7	4 1/8"	5
	5"	9	5"	7
	5 1/2" or Higher	11	5 1/2" or Higher	9