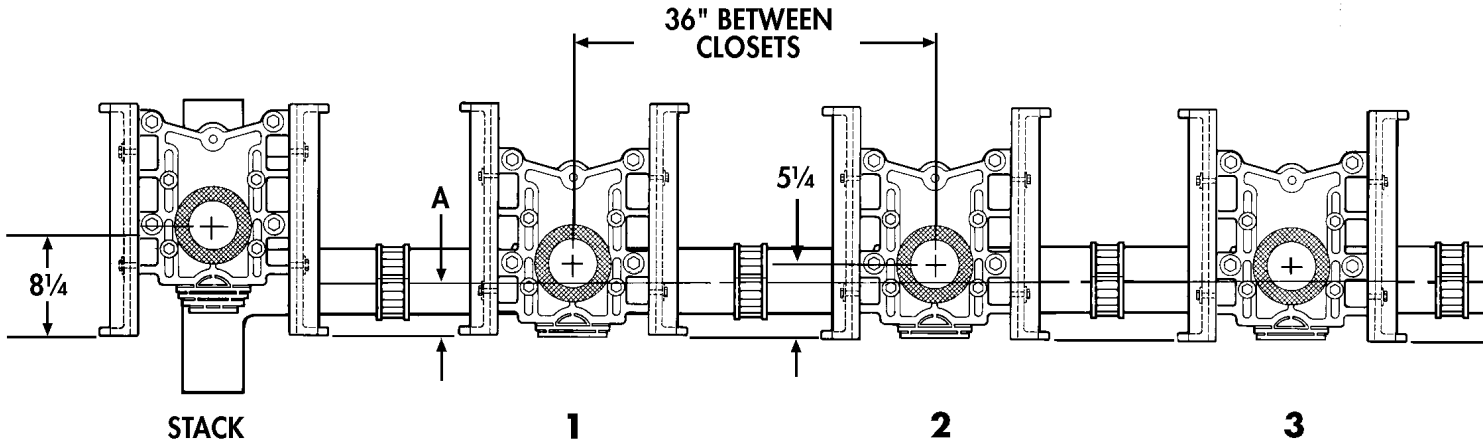


Stack Fitting Is 340 Series – All Others Are 310 Series



Battery placement of high-rough closets.

HIGH ROUGH POSITIONS	A	D	Ws	Wp	STD. CLOSETS UPSTREAM
STACK	3	$\frac{3}{8}$	3	3	6
1	$3\frac{3}{4}$	$\frac{3}{8}$	$3\frac{7}{8}$	$4\frac{1}{4}$	3
2	$3\frac{1}{2}$	$\frac{3}{8}$	$3\frac{7}{8}$	$4\frac{1}{4}$	3
3	$3\frac{1}{4}$	$\frac{3}{8}$	$3\frac{7}{8}$	$4\frac{1}{4}$	3
4	3	$\frac{3}{8}$	$4\frac{1}{8}$	$4\frac{1}{2}$	2
5	3	$\frac{3}{8}$	$4\frac{1}{2}$	$4\frac{7}{8}$	1
6	3	$\frac{3}{8}$	$4\frac{7}{8}$	$5\frac{1}{4}$	0
7	3	$\frac{3}{8}$	$5\frac{1}{4}$	$5\frac{5}{8}$	0

- A = Rough-In to CL of axillary inlet on stack fittings
- D = Amount of rise between closets
- Wp = Rough-In to CL of waterway at CL of paraplegic fixture
- Ws = Rough-In to CL of waterway at CL of standard fixture

**NOTE:** Calculations are based on:  $\frac{1}{8}"$  pitch,  $5\frac{1}{4}"$  standard rough-in, for 15" to rim of bowl,  $8\frac{1}{4}"$  paraplegic rough-in, for 18" to rim of bowl.