

Figure 1 - Water Closets

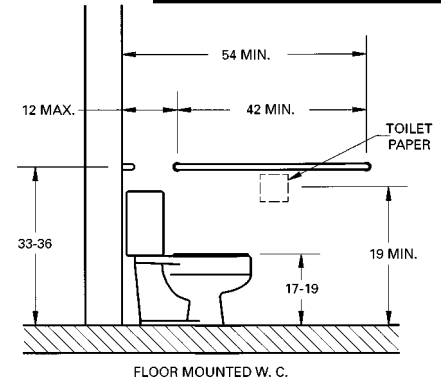
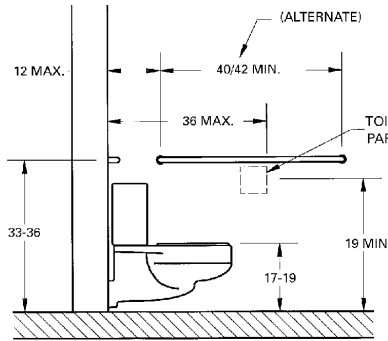


Figure 2 - Lavatories

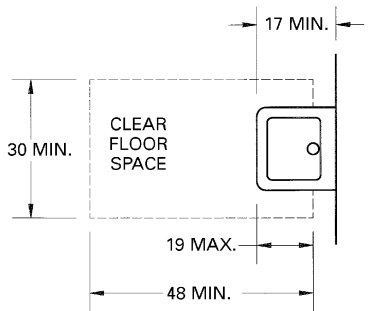
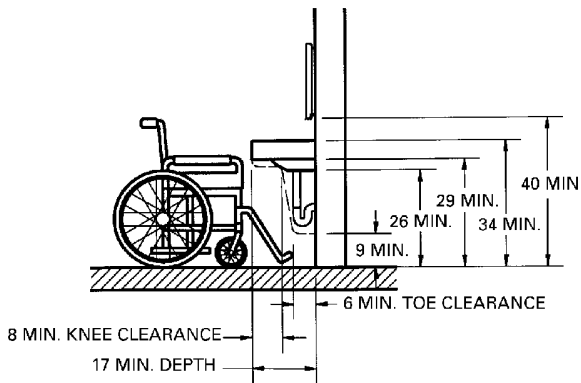
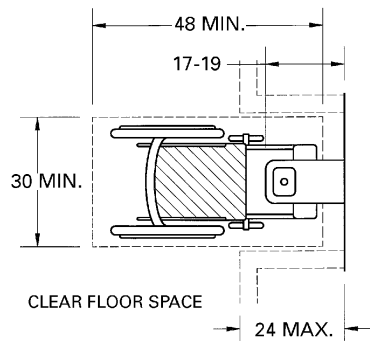
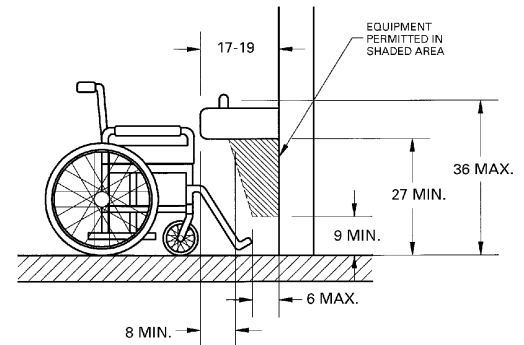


Figure 3 - Drinking Fountains and Water Coolers



LAVATORY CLEARANCES



SPOUT HEIGHT AND KNEE CLEARANCE

There are many opinions about compliance with ADA. This information is to assist in making informed decisions for fixture rough-in. It is the ultimate responsibility of the plumbing designer to assure that their designs are in compliance.

Water Closets (Fig. 1) - ADA requires the height of water closets to be 17 to 19" from finished floor to seat. A common misconception places this dimension to the rim of the bowl. When installed, most seats exceed 1" height. If the maximum 19" rough-in is applied to the rim of bowl on water closets...nonconformance! The usual 17" height from finished floor to rim of bowl will comply.

Urinals - Standard wall mounted urinals installed at 17" from finished floor to fixture lip may not be in compliance unless the fixture is elongated. ADA does not define "elongated" but the ANSI A117.1 definition is "extends a minimum of 14" from the wall."

Lavatories/Sinks (Fig. 2) - Fixture height from finished floor to the rim or counter should be no higher than 34". Clearance of at least 29" from the bottom of the apron to the floor is desired. Fixture traps and piping should be configured to protect against contact. Faucets are lever, pushopen or automatic.

Fountains/Water Coolers (Fig. 3) Controls are front or side mounted with the spout in front. The arc of water is restricted to 4" high and the flow within 3" of the front edge.