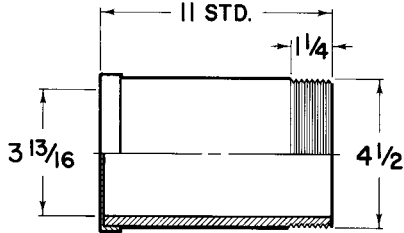


# Carriers Features



## Closet Coupling



With Integral test cap. Standard 11" length of Heavy Duty Plastic covers 85% to 90% of all lengths required on a project. Tapered thread for watertite faceplate connections; easily and quickly cut to installed length with hand tools.

## Anchor For Vertical Fittings



Fixed

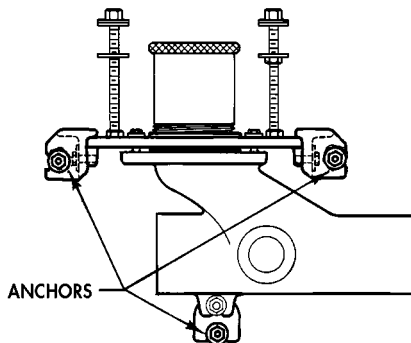


Adjustable

Vertical fittings require anchors for drywall construction. Anchors for fixed or adjustable carrier-fittings are furnished standard at no extra cost.

## Anchor Foot/Leveling Device

All single adjustable fittings include a rear brace to assure rigid connections for drywall construction. Positioned opposite the faceplate and adjustable in two directions, the anchor foot is also a permanent leveling device, assuring vertical faceplate alignment.



## Hanger Rod Support Feet



Carriers which span a wide chase require extra support feet. These feet eliminate an intermediate faceplate and provide rigid fixture support where it's needed, directly behind the partition. This is the strongest support available, but costs less than other methods, and saves even more on installation. Shipped standard at no extra cost with couplings over 11 inches long.

## Intermediate-Length Vertical Fittings



Carrier-fittings for SV and No-Hub piping extend through eight-inch slabs with joining room to spare. They have replaced both "short" and "long" barrel verticals; simplifies ordering, inventory, selection at the site . . . and lowers installed cost. Rear anchor included at no extra cost.