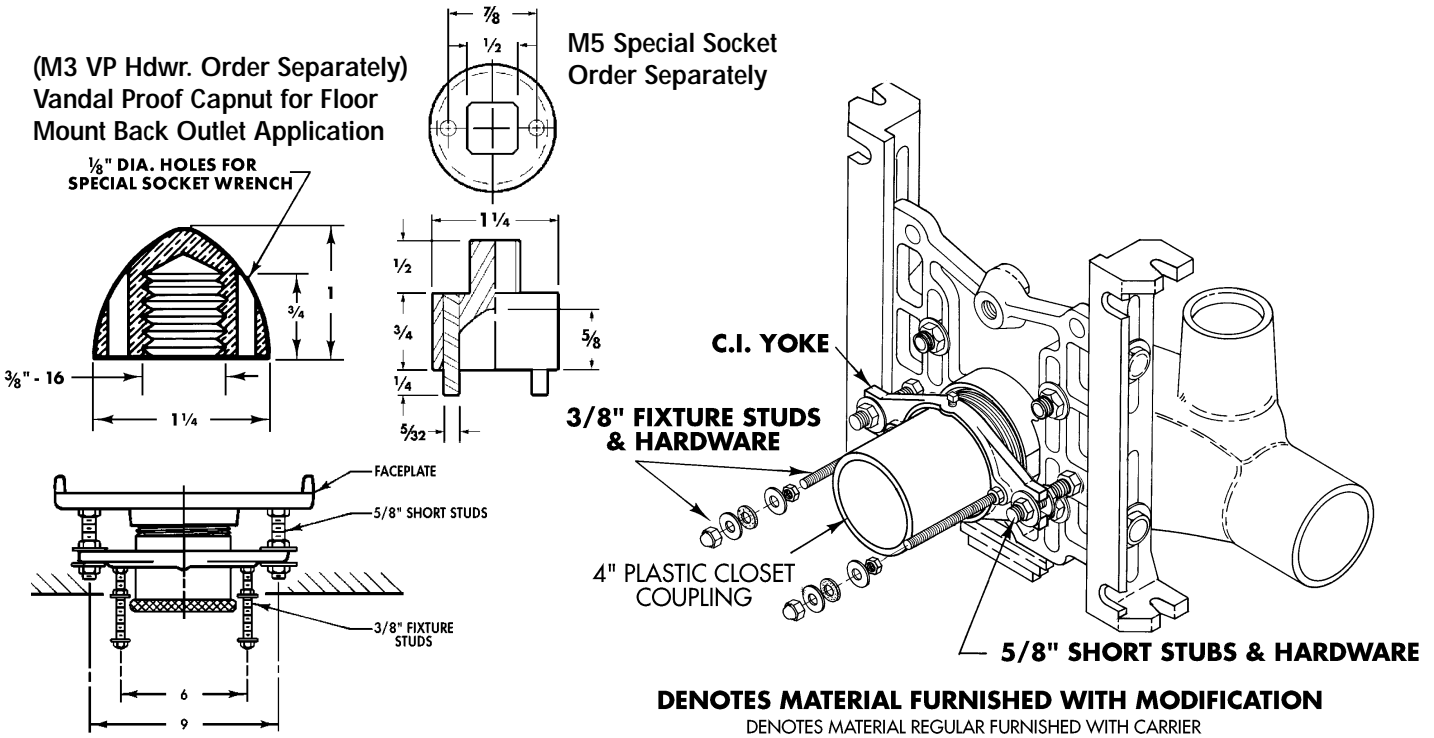


Options to Commercial Closet Carriers



M14 For Floor Mounted Back Outlet Fixtures

C.I. yoke mounts to face plate with two 5/8" studs. Allows closet coupling to extend through yoke. 3/8" tapings are located on yoke for fixture studs.



M26 Adjustable Cast Iron Closet Coupling

For use when codes require cast iron couplings. After coupling is adjusted to proper length, locknut is tightened to compress gasket for a watertight seal.

