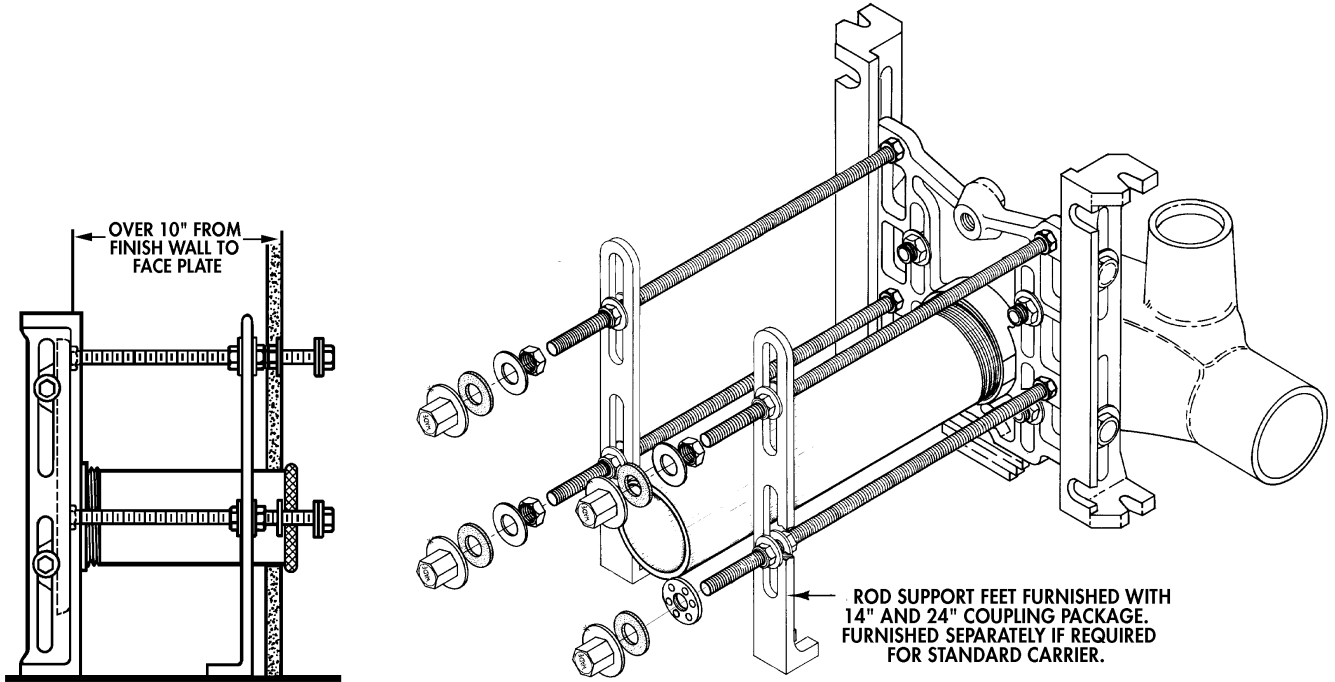


M4 Long Closet Coupling and Fixture Studs

Required for dimensions over 10" from finish wall to face plate. (Specify required dimension) NOTE: (14" or 24" available)



AM21 Tiling Frame

(Mounts on carrier fixture studs when the carrier is installed; tiling guide and templet, eliminates problems caused by dimensional variations when wall is erected.)

