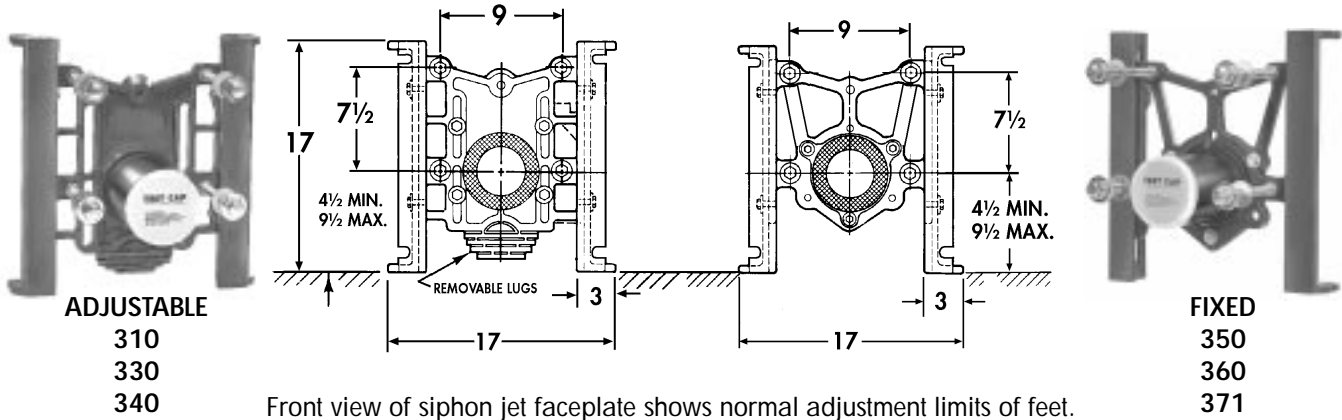


Closet Carriers Face Plates



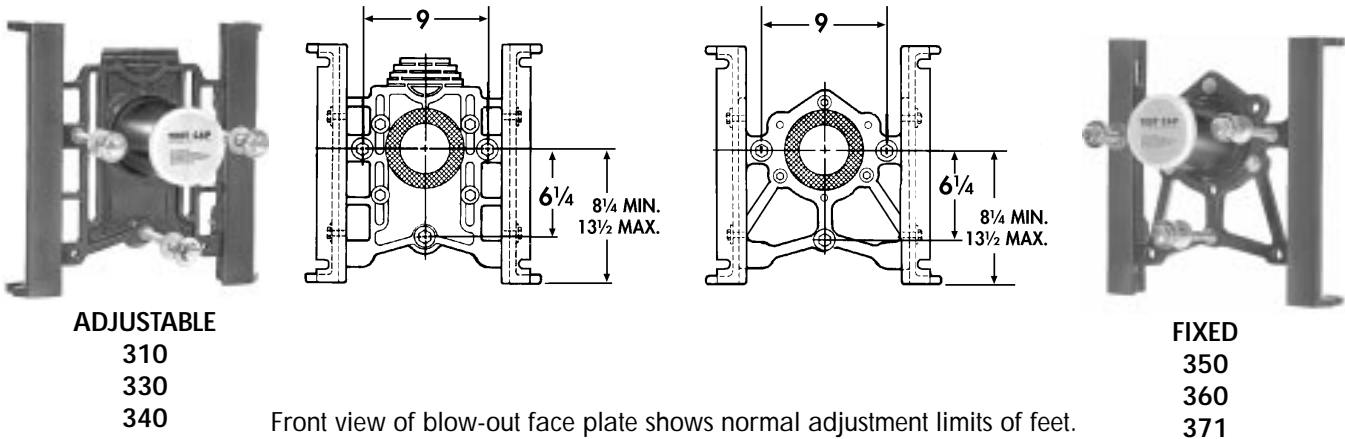
All closet carriers have invertible faceplates to support either siphon jet and blowout closets.

Siphon Jet



Front view of siphon jet faceplate shows normal adjustment limits of feet.

Blow-Out

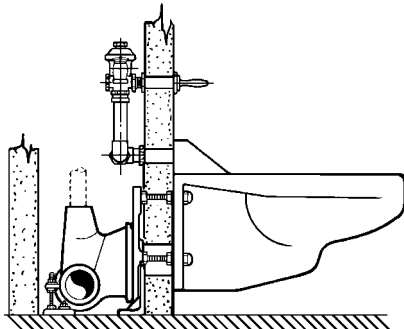


Front view of blow-out face plate shows normal adjustment limits of feet.

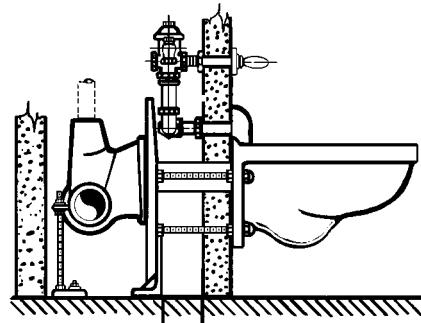
Note Concerning Concealed Flush Valves

Concealed flush valves, which enter the rear of most siphon jet water closets, will clear the top of the carrier faceplate. This clearance should be checked for the specified fixture. There are some exceptions which require the faceplate to be set from 4 1/2" to 6 1/2" behind the interior face of the pipe chase.

Concealed flush valves when used with any blowout water closet will not clear the faceplate. Therefore, the faceplate must be located between 4 1/2" and 6 1/2" behind the interior face of the pipe chase.



Flush Fit Siphon Jet



4 1/2" to 6 1/2" Blowout