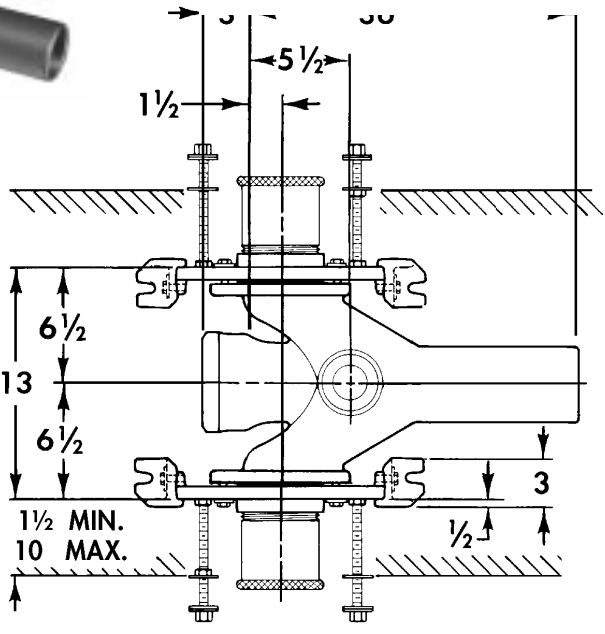
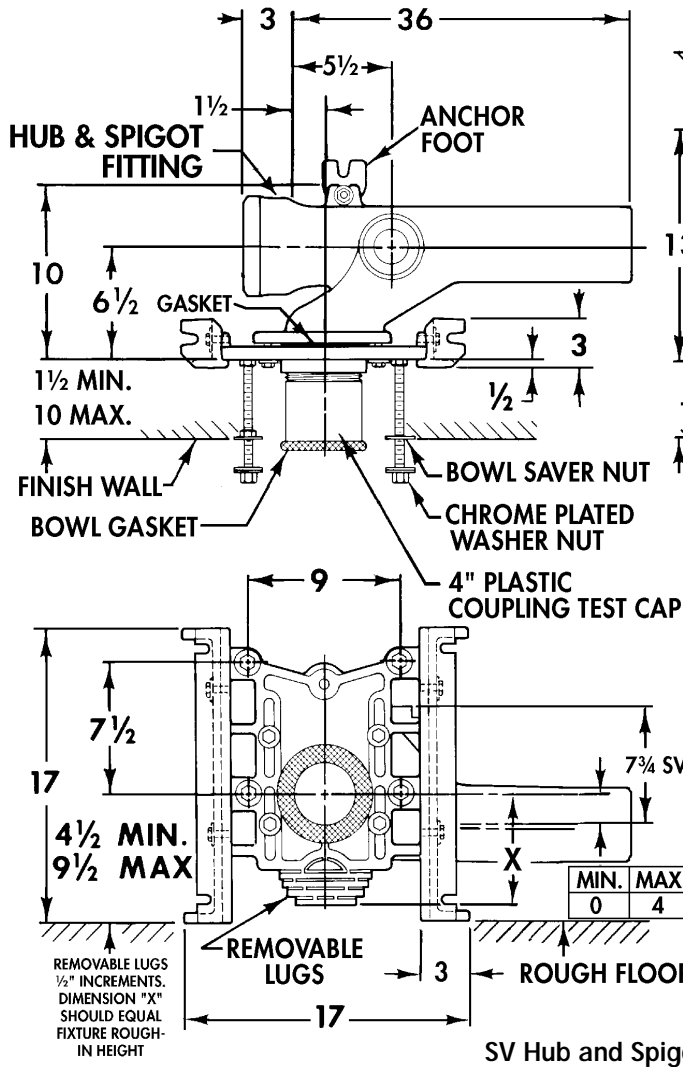
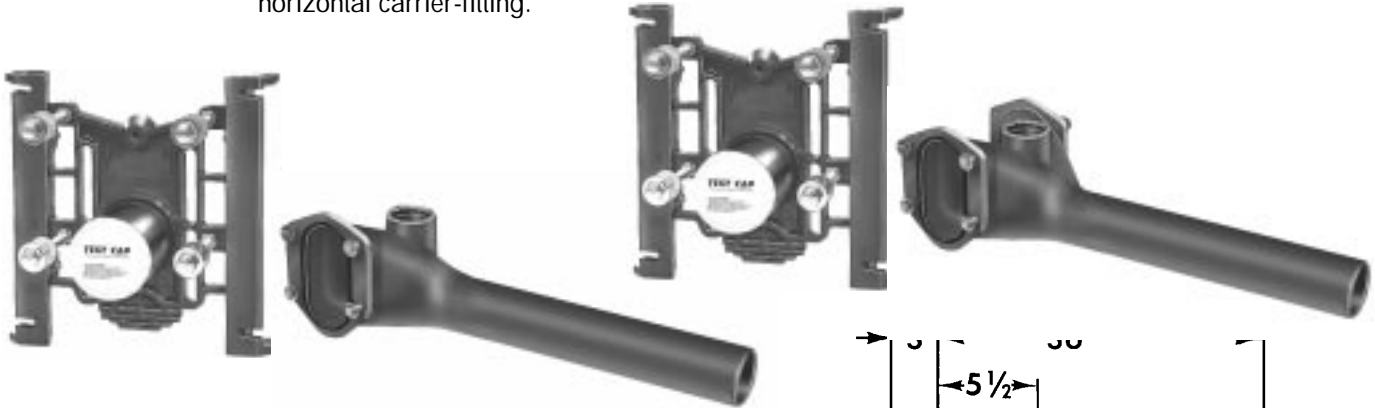


Closet Carriers



310-36 Series SV Hub and Spigot single and double adjustable long barrel horizontal carrier-fitting.



SV Hub and Spigot

Cat. No.		Wt. Lbs.
<input type="checkbox"/>	310CL36	75
<input type="checkbox"/>	310CR36	75
<input type="checkbox"/>	310CD36	130

OPTIONS

Suffix	Description
<input type="checkbox"/>	AM1 ... Valve Piping Support
<input type="checkbox"/>	AM21 . Tile Finishing Frame
<input type="checkbox"/>	M4 Plastic Cplg Pkg, 14"
<input type="checkbox"/>	M4 Plastic Cplg Pkg, 24"
<input type="checkbox"/>	M5 Wrench for VP Capnuts
<input type="checkbox"/>	M14 FMBO Hardware
<input type="checkbox"/>	M 26 ... C.I. Cplg w/Locknut, 3.5"
<input type="checkbox"/>	M 26 ... C.I. Cplg w/Locknut, 4"
<input type="checkbox"/>	M 26 ... C.I. Cplg w/Locknut, 6"
<input type="checkbox"/>	M 26 ... C.I. Cplg w/Locknut, 8"
<input type="checkbox"/>	M 26 ... C.I. Cplg w/Locknut, 10"
<input type="checkbox"/>	M 26 ... C.I. Cplg w/Locknut, 12"
<input type="checkbox"/>	M 26 ... C.I. Cplg w/Locknut, 14"
<input type="checkbox"/>	M 26 ... C.I. Cplg w/Locknut, 16"
<input type="checkbox"/>	M 26 ... C.I. Cplg w/Locknut, 18"

(See pages 1-29, 1-32 for option details)