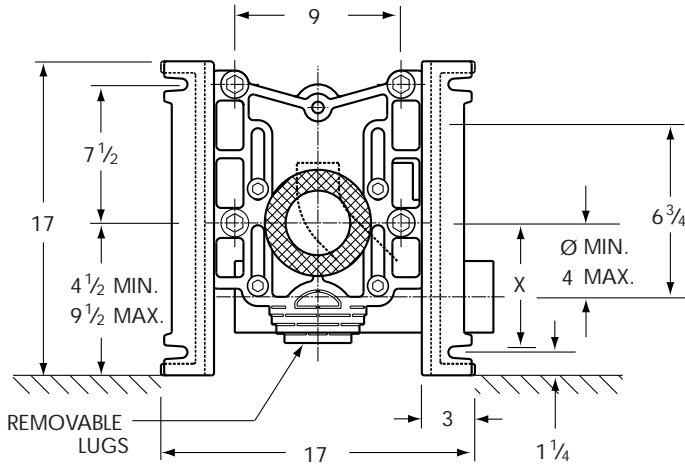
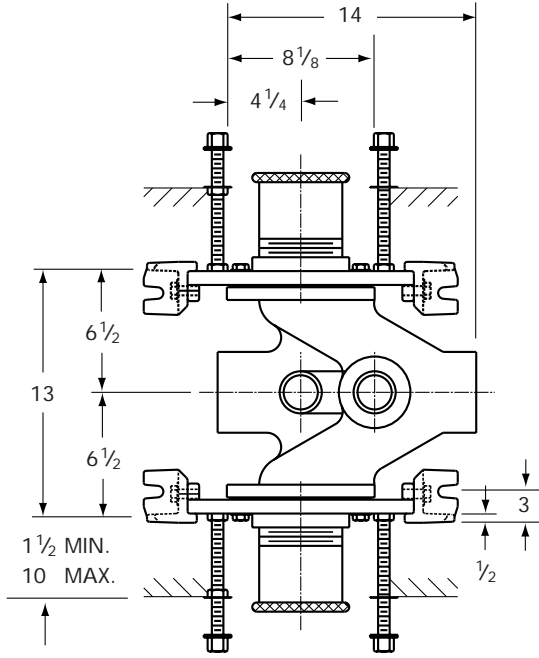
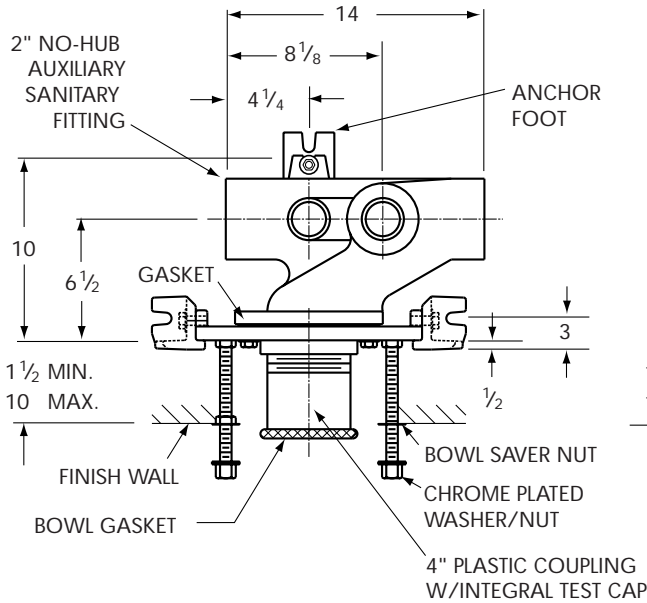


**310UA Series** No-Hub single and double adjustable horizontal carrier-fitting with 2" auxiliary No-Hub inlet.



**No-Hub**

Cat. No.	Wt. Lbs.
310NL-UA .....	75
<b>310NR-UA .....</b>	<b>75</b>
310ND-UA .....	130

**OPTIONS**

Suffix	Description
AM1	Valve Piping Support
AM21	Tile Finishing Frame
M4	Plastic Cplg Pkg, 14"
M4	Plastic Cplg Pkg, 24"
M5	Wrench for VP Capnuts
M14	FMBO Hardware
M 26	C.I. Cplg w/Locknut, 3.5"
M 26	C.I. Cplg w/Locknut, 4"
M 26	C.I. Cplg w/Locknut, 6"
M 26	C.I. Cplg w/Locknut, 8"
M 26	C.I. Cplg w/Locknut, 10"
M 26	C.I. Cplg w/Locknut, 12"
M 26	C.I. Cplg w/Locknut, 14"
M 26	C.I. Cplg w/Locknut, 16"
M 26	C.I. Cplg w/Locknut, 18"

(See pages 1-29, 1-32 for option details)