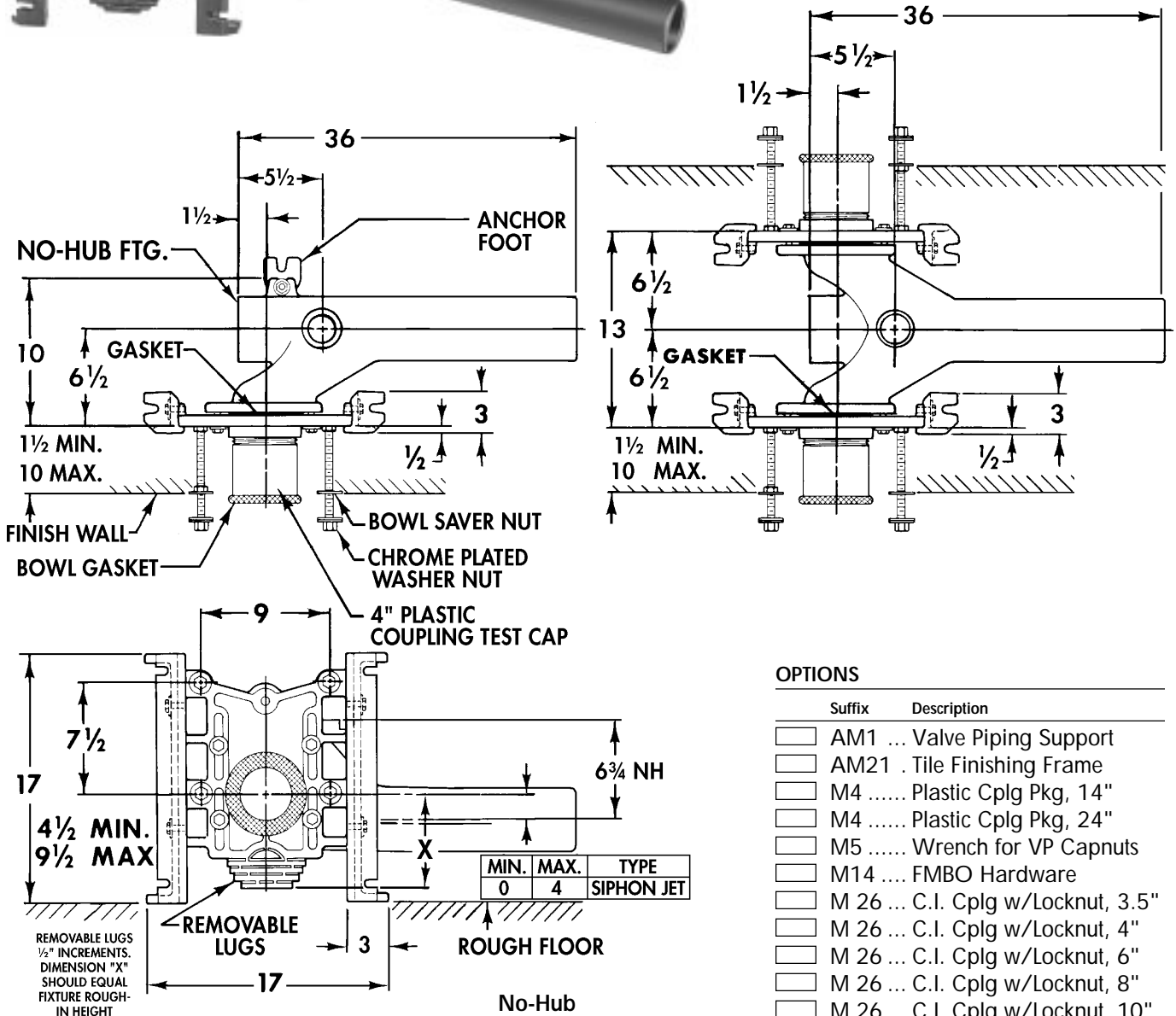


# Closet Carriers



**310-36 Series** No-Hub single and double adjustable long barrel horizontal carrier-fitting.



Cat. No.	Wt. Lbs.
310NL36	75
310NR36	75
310ND36	130

**OPTIONS**

Suffix	Description
AM1	Valve Piping Support
AM21	Tile Finishing Frame
M4	Plastic Cplg Pkg, 14"
M4	Plastic Cplg Pkg, 24"
M5	Wrench for VP Capnuts
M14	FMBO Hardware
M 26	C.I. Cplg w/Locknut, 3.5"
M 26	C.I. Cplg w/Locknut, 4"
M 26	C.I. Cplg w/Locknut, 6"
M 26	C.I. Cplg w/Locknut, 8"
M 26	C.I. Cplg w/Locknut, 10"
M 26	C.I. Cplg w/Locknut, 12"
M 26	C.I. Cplg w/Locknut, 14"
M 26	C.I. Cplg w/Locknut, 16"
M 26	C.I. Cplg w/Locknut, 18"

(See pages 1-29, 1-32 for option details)