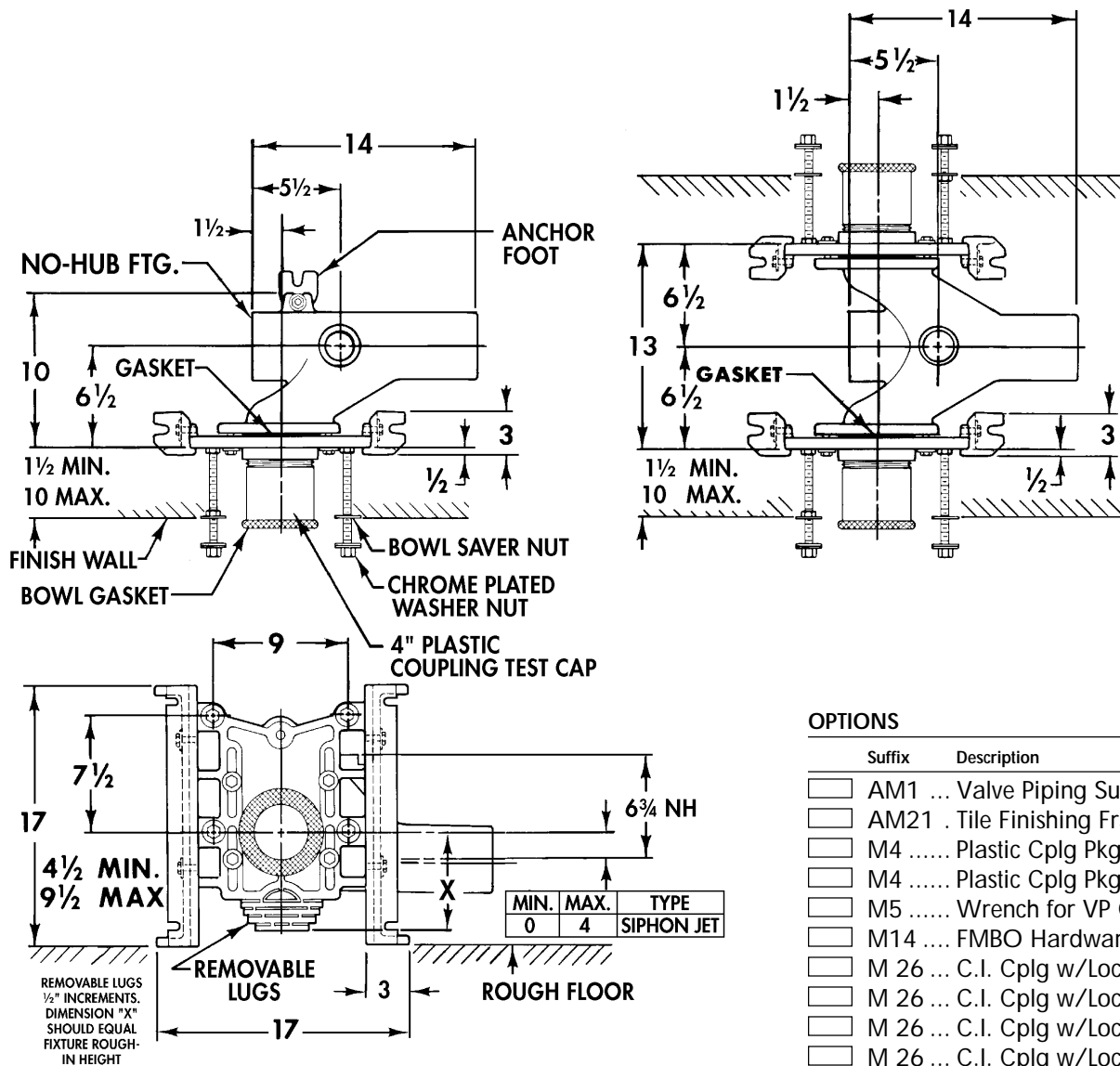
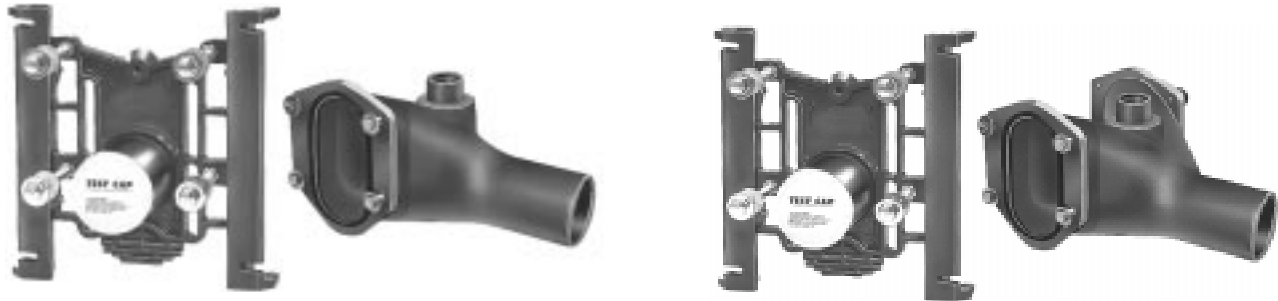


Closet Carriers

WADE

310 Series No-Hub single and double adjustable horizontal carrier-fitting.



OPTIONS

Suffix	Description
<input type="checkbox"/> AM1	Valve Piping Support
<input type="checkbox"/> AM21	Tile Finishing Frame
<input type="checkbox"/> M4	Plastic Cplg Pkg, 14"
<input type="checkbox"/> M4	Plastic Cplg Pkg, 24"
<input type="checkbox"/> M5	Wrench for VP Capnuts
<input type="checkbox"/> M14	FMBO Hardware
<input type="checkbox"/> M 26	C.I. Cplg w/Locknut, 3.5"
<input type="checkbox"/> M 26	C.I. Cplg w/Locknut, 4"
<input type="checkbox"/> M 26	C.I. Cplg w/Locknut, 6"
<input type="checkbox"/> M 26	C.I. Cplg w/Locknut, 8"
<input type="checkbox"/> M 26	C.I. Cplg w/Locknut, 10"
<input type="checkbox"/> M 26	C.I. Cplg w/Locknut, 12"
<input type="checkbox"/> M 26	C.I. Cplg w/Locknut, 14"
<input type="checkbox"/> M 26	C.I. Cplg w/Locknut, 16"
<input type="checkbox"/> M 26	C.I. Cplg w/Locknut, 18"

(See pages 1-29, 1-32 for option details)

No-Hub

Cat. No.	Wt. Lbs.
<input type="checkbox"/> 310NL	75
<input type="checkbox"/> 310NR	75
<input type="checkbox"/> 310ND	130