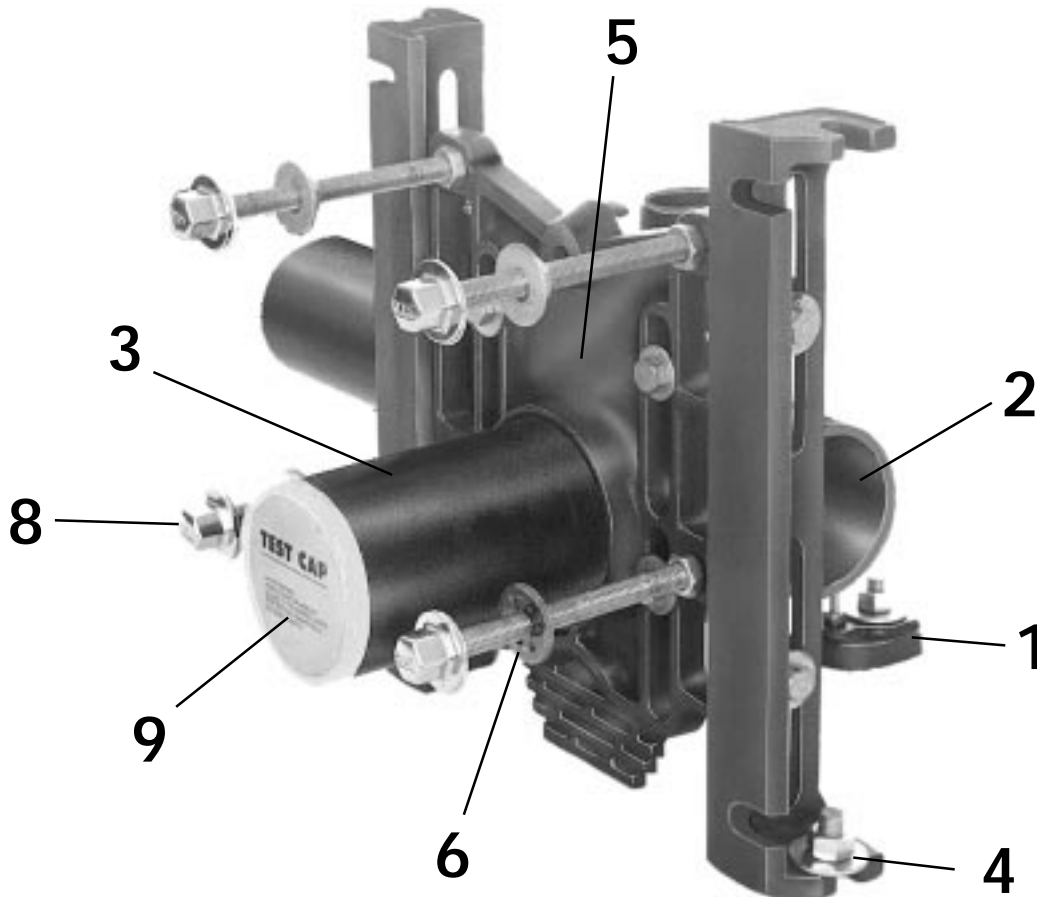


310 Horizontal Carrier-Fittings

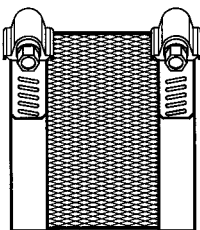
WADE

No-Hub fitting illustrated.
Also Available for SV gasket connection.



1. Anchor Foot - Eliminates carrier-fitting rock in dry wall construction; requires fewer securing bolts for installation.
2. NO-HUB or SV gasket connection. (4" waste with 2" vent) and standard or extended length spigot.
3. Heavy-duty plastic coupling (11" standard, longer coupling available with rod support feet).
4. Adjustable feet that supports the faceplate on two bearing surfaces for the entire height-slots on the side and front for ease in installation as well as ease for prefab.
5. Invertible faceplate fits both siphon jet and blowout water closets - permits high-rough installation without special support equipment.
6. Bowl-saver nut - simplifies fixture setting and assures rigid connection without breaking the fixture.
7. Neoprene faceplate gasket - provides permanent, flexible seal between faceplate and fitting. (Not Visible)
8. One piece chrome-plate washer/nuts.
9. Integral test cap.

No-Hub



The joints used to connect more feet of pipe in America...the one more contractors prefer. A simple, three step operation to join, No-Hub requires only one hand tool to join any diameter...and Wade has a complete line of No-Hub carrier-fittings.