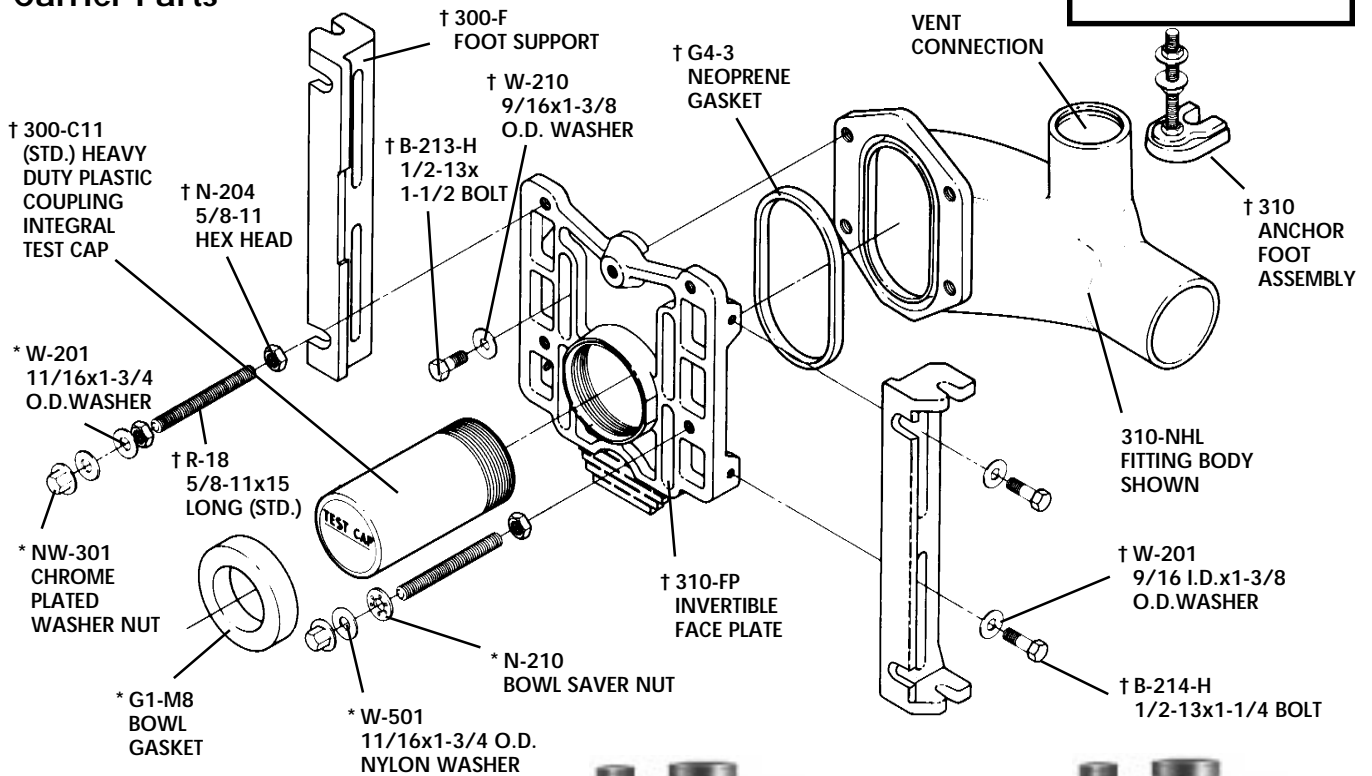


## Carrier Parts



\* Included in IFA Hardware  
 † Included in Faceplate Assembly



**310NL**  
**310 SERIES**  
 Used when horizontal waste is above the floor.



**330NL**  
**330 SERIES**  
 Used with single fixtures on common stack or in battery installations when horizontal waste is below the floor.



**340NL**  
**340 SERIES**  
 Used with W-310 series when horizontal waste is above the floor and fixture may be placed on vertical stack.



**340ANL**  
**340A SERIES**  
 Used with W-310 series when horizontal waste is above the floor and on both sides of vertical stack.



**350N2**  
**350 SERIES**  
 Used with single fixture on vertical stack.



**371L**  
 Used with single fixture on common vertical stack.

### SYMBOLS

- C - Hub and Spigot
- N - No-Hub
- D - Double
- L - Left
- R - Right
- V - Vent
- A - Two 4" Side Inlets
- 5 - 5" Waste
- 6 - 6" Waste